

PRODUCER



Services and Trade Company

"EKO-WIN" Sp. z o.o.

10-467 Olsztyn, ul. Sprzętowa 3/14

tel./fax: + 48 (89) 539 19 66

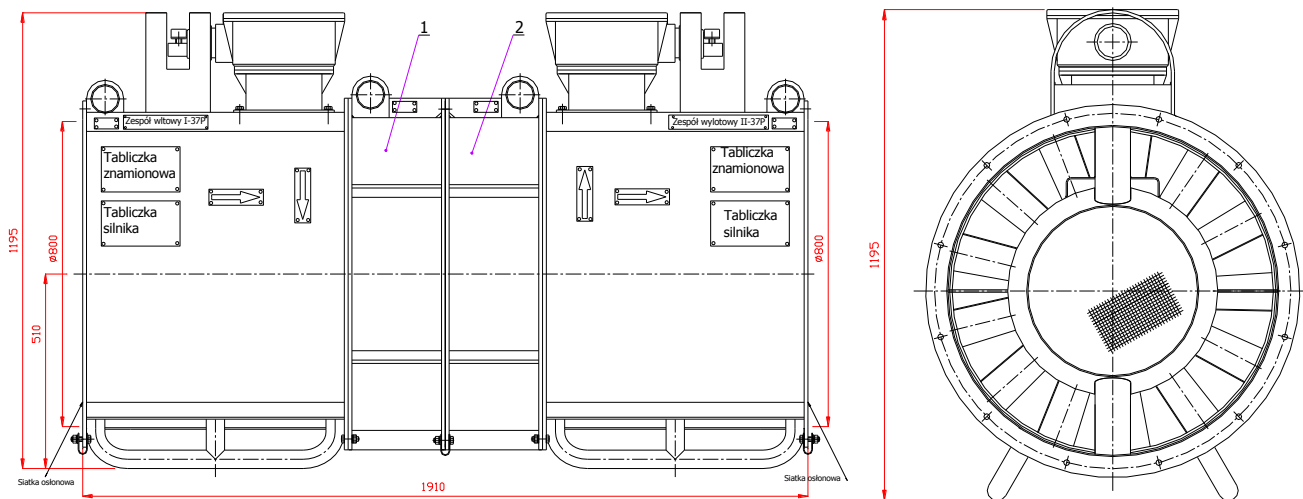
e-mail: ekowin@ekowin.pl

www.ekowin.eu

## TECHNICAL DATA-SHEET



# Multi-Voltage Mining Fan WWG-1000/2x37/P



1. Set of inlet I-37P; 2. Steering I-37P

**Table. Key technical parameters of the Multi-Voltage Mining Fans type WWG-1000/2x37/P**

| Parameter                               | Unit of Measure     | WWG-1000/2x37/P      |
|---|---------------------|----------------------|
| Nominal capacity <sup>(1)</sup>         | m <sup>3</sup> /min | 620                  |
| Capacity range                          | m <sup>3</sup> /min | 560 ÷ 720            |
| Pressure - nominal                      | Pa                  | 4600/5150            |
| Diameter of fan                         | mm                  | 800                  |
| Diameter of ventilation ducts           | mm                  | 600, 800, 1000, 1200 |
| Weight                                  | kg                  | ok. 1379             |
| Type of electric motor                  | -                   | dSOKg 200L2B-P       |
| • Nominal supply voltage <sup>(2)</sup> | V                   | 500/1000             |
| • Power of electric motor               | kW                  | 37                   |
| Corrosion protection                    | -                   | zinc-plated          |

(1) On customer request nominal parameters of work can be changed within the 400 do 620 m<sup>3</sup>/min (for example 450, 500 m<sup>3</sup>/min).

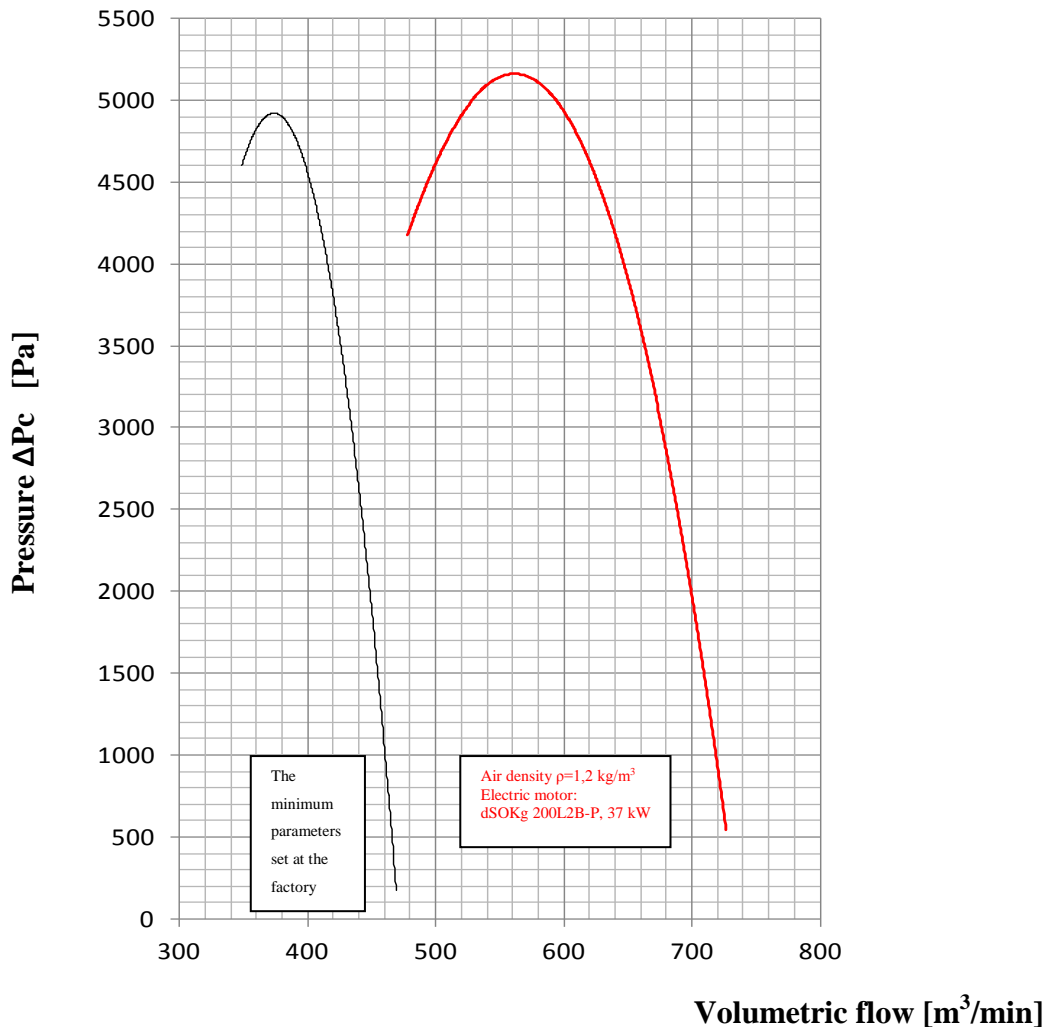
(2) Other voltage according to manual of electric motor D4-34.460 edition VI.

### Scope of using

- The Multi-Voltage Mining Fans type WWG-1000/2x37/P are designed for ventilation of mining excavations by a separate ventilation and to cooperate with the dust collectors or air conditioning.
- The Multi-Voltage Mining Fans type WWG-1000/2x37/P are adapted to work in mines, in which there is methane hazard (excavation with degree of „a”, „b” and „c” of methane explosion hazard) and coal dust explosion hazard (excavation with class of „A” and „B” of coal dust explosion hazard). Devices are comply with the requirements of the Minister of Economy of 22 December 2005 (Journal of Laws No. 263 of 2005, item 2203) and they are devices of group I category M2.

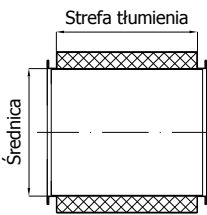
- The fans can also be used outside of mining in other industrial sectors, e.g. in coal processing plant. The fans are designed for continuous use.
- Reliability characterized WWG type fans. The high parameters of ram effect and capacity while also high efficiency are achieved by using 37 kW of electric motors type dSOKg 200 L2B-P. Rotor blades are made of hard-wearing steel.
- The modified of the rotor casing reduces flow resistance and improve airflow.
- In the fans can be apply additional commercial equipments: a set of silencers that are comply with the requirements of PN-81/N-01306 and PN-N 01307:1994 for acoustic protection, elements to reduce the loss of fans ram effect, e.g.: inlets, diffusers, confusors, set of reduction connectors to the cooperation with ventilation ducts diameter from 600 to 1200 mm.
- It is possible to change parameters of the fan, in accordance with the requirements of the Customer.

**Characteristic curves for the fans type WWG-1000/2x37/P**



**Multi-Voltage Mining Fan WWG-1000/37/P is certified  
The Certificate of Conformity No. OBAC 14 CZ/ATEX 0036X,  
issued by The „OBAC” Institute for Research and Certification Ltd. (No. 1461).**

**Recommended silencers for the fans type WWG-1000/2x37/P**

|  | Type of silencer | Diameter mm | Length of damping area mm | Minimal effectiveness |
|---|------------------|-------------|---------------------------|-----------------------|
|   | UTH-800          | 800         | 1250                      | 19,70 dB(A)           |
|   | UTH-1000         | 1000        | 1250                      | 18,42 dB(A)           |
|   | TG Ø800/1100     | 800         | 1100                      | 16 dB(A)              |
|   | TG Ø1000/800     | 1000        | 800                       | 14 dB(A)              |
|   | TG Ø1000/1100    | 1000        | 1100                      | 16 dB(A)              |