

PRODUCER



Multibranch Company

WIROMAG sp. z o.o.

11-135 Lubomino, Rogiedle 24B

tel./fax: +48 (89) 533 32 02

e-mail: wiromag@gmail.com

www.wiromag.pl

# TECHNICAL DATA-SHEET

DISTRIBUTOR



Services and Trade Company

"EKO-WIN" Ryszard Krzykowski

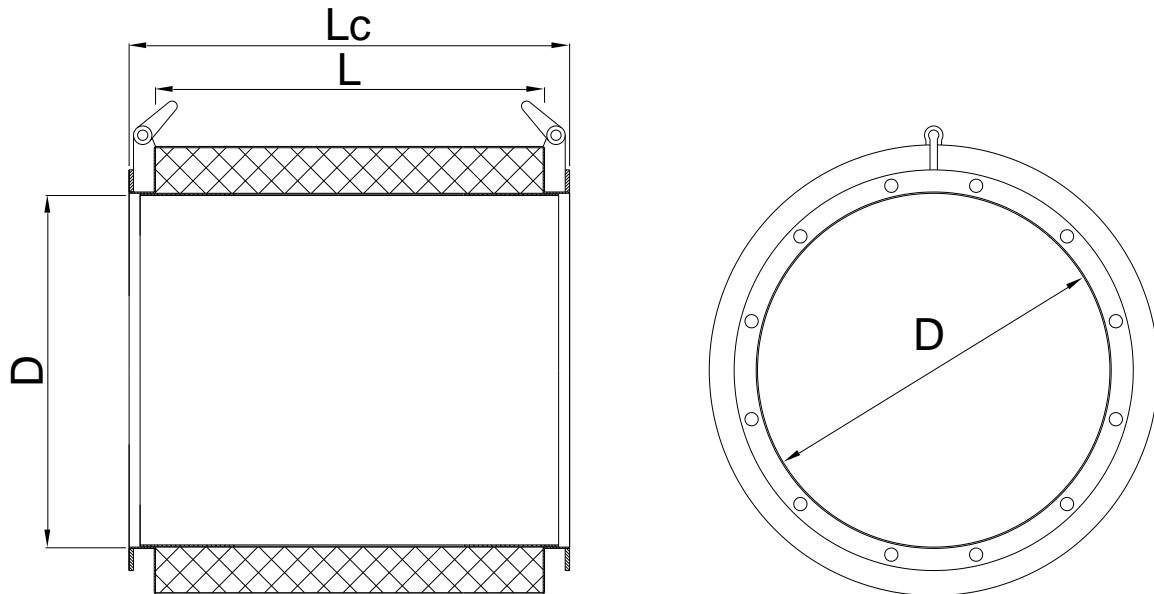
40-160 Katowice, Al. Korfantego 79

tel./fax: + 48 (32) 259 25 68

e-mail: ekowin@ekowin.pl

www.ekowin.eu

## Noise Silencer TG $\varnothing$ \*\*\*/\*\*



*D*-inlet diameter; *L*-length of damping area; *Lc*-total length

**Table. Key technical parameters of the Noise Silencers type TG  $\varnothing$ \*\*\*/\*\***

Type	Diameter, D mm	Length of damping area, L mm	Total length, Lc mm	Weight, kg	Minimal damper effectiveness* dB(A)	Corrosion protection
TG $\varnothing$ 300/400	300	400	460	26	14	zinc-plated
TG $\varnothing$ 400/500	400	500	560	47	14	zinc-plated
TG $\varnothing$ 500/600	500	600	720	74	14	zinc-plated
TG $\varnothing$ 630/800	630	800	920	119	14	zinc-plated
TG $\varnothing$ 630/1100	630	1100	1220	148	16	zinc-plated
TG $\varnothing$ 660/800	660	800	920	123	14	zinc-plated
TG $\varnothing$ 660/1100	660	1100	1220	154	16	zinc-plated
TG $\varnothing$ 800/800	800	800	920	145	14	zinc-plated
TG $\varnothing$ 800/1100	800	1100	1220	181	16	zinc-plated
TG $\varnothing$ 1000/800	1000	800	920	176	14	zinc-plated
TG $\varnothing$ 1000/1100	1000	1100	1220	220	16	zinc-plated

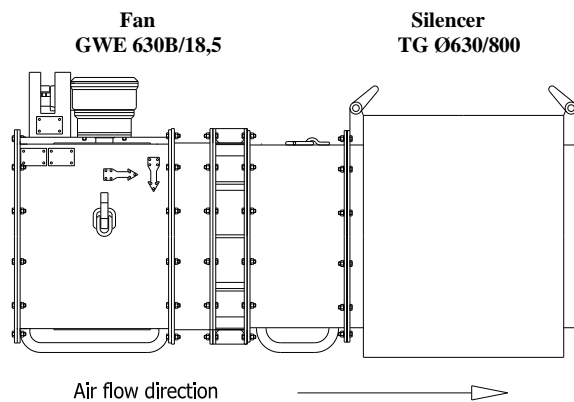
\* according to research CMG KOMAG in accordance with PN-N-01307: 1994

## Scope of using

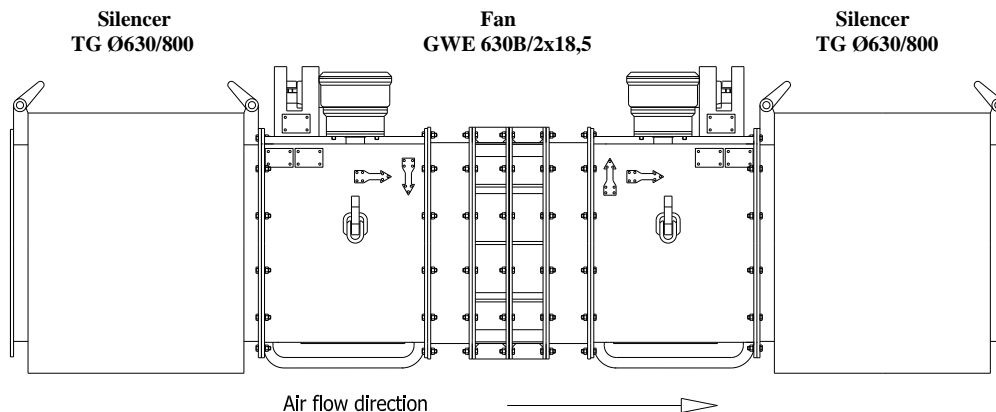
- The Noise Silencers type TG Ø\*\*\*/\*\* are designed to reduce noise emission generated by the mining duct-line fans working in systems of exhaust, blowing or combined ventilation. The principle of operation is based on absorption of acoustic energy of the wave, which is shifting by the area covered with the sound-absorbing material.
- The Noise Silencers type TG Ø\*\*\*/\*\* are adapted to work in mines, in which there is methane hazard (excavation with degree of „a”, „b” and „c” of methane explosion hazard) and coal dust explosion hazard (excavation with class of „A” and „B” of coal dust explosion hazard). Devices are comply with the requirements of the Minister of Economy of 22 December 2005 (Journal of Laws No. 263 of 2005, item 2203) and they are devices of group I category M2.
- The Noise Silencers type TG Ø\*\*\*/\*\* can also be used in other industrial sectors, except for the chemical industry.
- The design of silencers ensures a high degree of energy damping of acoustic waves. The sound-absorbing material is characterised by a high thermal resistance (class A1 fire resistance-according to PN-EN 13501-1: 2004) and high-reverberant sound absorption coefficient.
- It is possible to produce silencers with different diameters and lengths than it is specified in the table, in accordance with the requirements of the Customer.

**The Noise Silencer TG Ø\*\*\*/\*\* is certified.  
The Certificate of Conformity No. KOMAG/06/ATEX/ST/244,  
issued by KOMAG Mining Mechanization Centre  
Division of Attestation Tests, Certifying Body (No. 1456).**

## Examples of cooperation



*Example of the cooperation between fan type GWE 630B/18,5 and silencer type TGØ630/800*



*Example of the cooperation between fan type GWE 630B/2x18,5 and two silencers type TGØ630/800*