

PRODUCER



Multibranch Company

WIROMAG sp. z o.o.

11-135 Lubomino, Rogiedle 24B

tel./fax: +48 (89) 533 32 02

e-mail: wiromag@gmail.com

www.wiromag.pl

# TECHNICAL DATA-SHEET

DISTRIBUTOR



Services and Trade Company

"EKO-WIN" Ryszard Krzykowski

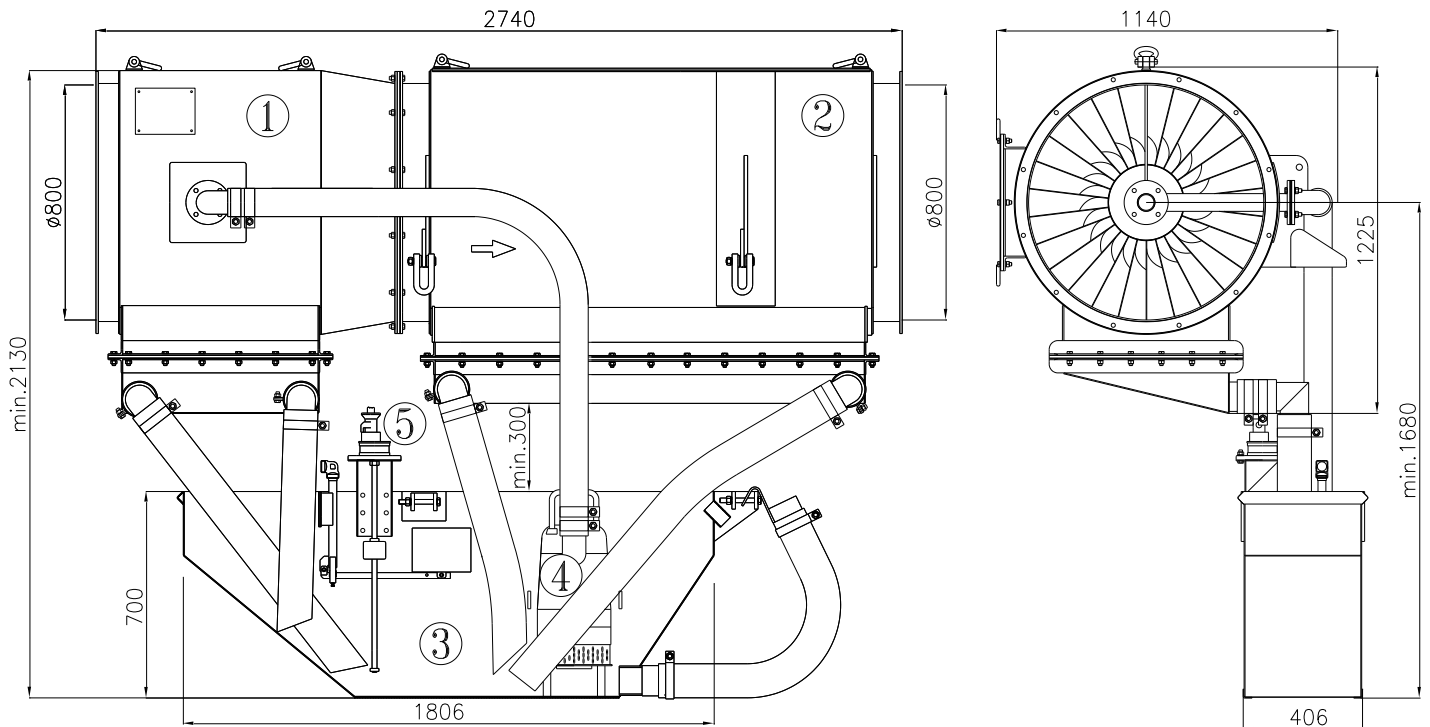
40-160 Katowice, Al. Korfantego 79

tel./fax: + 48 (32) 259 25 68

e-mail: ekowin@ekowin.pl

www.ekowin.eu

## Dust Collector UO-630-2



1-Air washer chamber; 2-Droplet separator; 3-Water tank (with float valve); 4-Impeller water pump; 5-Water level controller

**Table. Key technical parameters of the Dust Collector type UO-630-2**

Parameter	Unit of Measure	UO-630-2
Capacity range	m <sup>3</sup> /min	250 ÷ 600
Water use	dm <sup>3</sup> /min	1 ÷ 10
Total length	mm	2740
Inlet and outlet diameter	mm	800
Total weight	kg	about 864
Dedusting efficiency <sup>1)</sup> :		
– total / respirable	%	99,0 / 98,4
Acoustic pressure level	dB(A)	below 70
Flow resistance at efficiency 400m <sup>3</sup> /min	Pa	about 1420
Type of impeller water pump	-	P-1BA/***
• Nominal supply voltage	V	in accordance with the requirements of the Customer
• Power of electric motor	kW	2,2
Type of water level controller	-	CP-2d/1 or CPC-*ET
Corrosion protection	-	zinc-plated

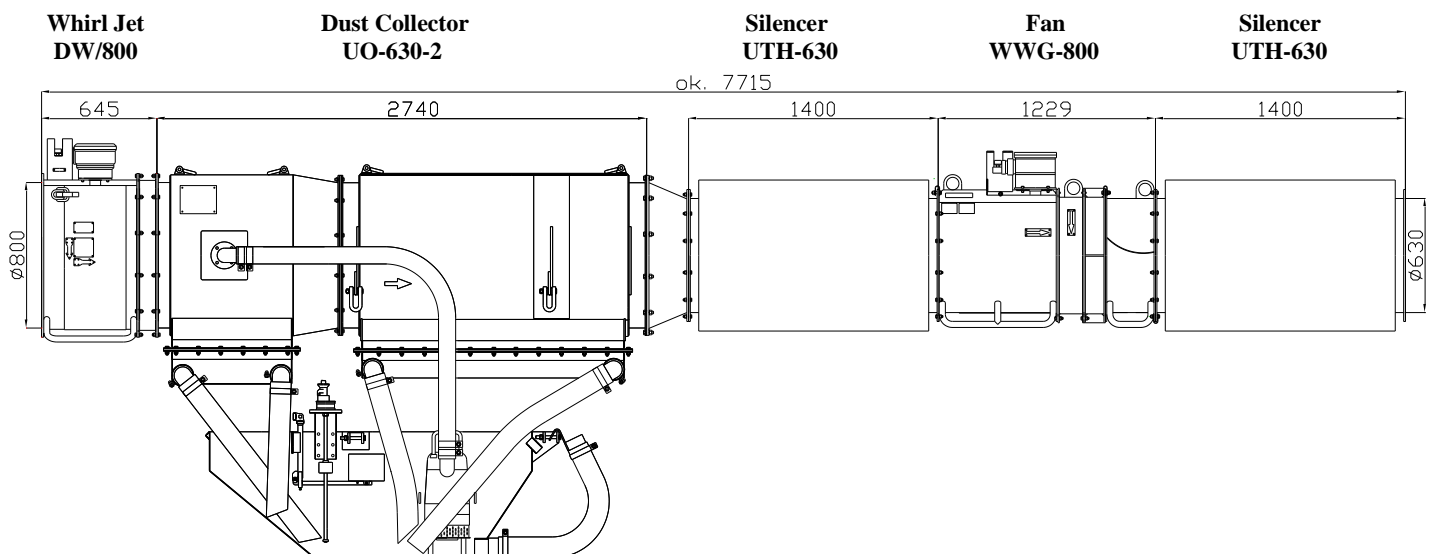
1) Using the Whirl Jet type DW or corecting insert type W production WIROMAG sp. z o.o. increase total dedusting efficiency till 99,5%, and respirable till 99,2%.

## Scope of using

- The Dust Collectors type UO-630-2 are designed to remove dust from the air flowing through them, especially coal dusts, coal-stone dusts, stone dusts and industrial dusts. Dust is removed by the wet method. The device works in closed-circuit of water.
- The Dust Collectors type UO-630-2 are adapted to work in mines, in which there is methane hazard (excavation with degree of „a”, „b” and „c” of methane explosion hazard) and coal dust explosion hazard (excavation with class of „A” and „B” of coal dust explosion hazard). Device is comply with the requirements of the Minister of Economy of 22 December 2005 (Journal of Laws No. 263 of 2005, item 2203) and they are devices of group I category M2.
- The Dust Collector type UO-630-2 is adapted to work in mining excavations driving by roadheaders, ventilated by combined or exhaust ventilation.
- The Dust Collector type UO-630-2 can work as a stationary devices for dedusting chutes, tippers, chambers in the mines and in coal processing plant.
- The Dust Collector type UO-630-2 can cooperate with conveyor and coal crusher, as a mobile device.
- The Dust Collector type UO-630-2 can also be used outside of mining, e.g. in coke plants, power plants, heating plants, production facilities which have separate areas with hazard of dust explosion.
- The Dust Collector type UO-630-2 is adapted to cooperation with fans type GWE 630B/18,5, GWE 630B/2x18,5, WWG-800, WWG-1000/\*\* and other types of fans, e.g. WLE. The fan can be located either behind or in front of the Dust Collector.
- In the Dust Collector can be apply additional commercial equipments e.g. Whirl Jet, inlet guiding vanes, droplet pre-separator, reduction connectors, draining ducts with diameters of 80÷120mm, connecting elements, bearing elements. It is possible to change the shape and location of the water tank - under the device or in the place designated by the User.

**Dust Collector UO-630-2 is certified.**  
**The Certificate of Conformity No. CZ/937/IV/2013,**  
**issued by The Certification Body of The Central Mining Institute (No. 1453).**

## Examples of cooperations



*Example of the cooperation between Dust Collector type UO-630-2  
with Whirl Jet type DW/800 and fan type WWG-800 with two silencers type UTH-630*